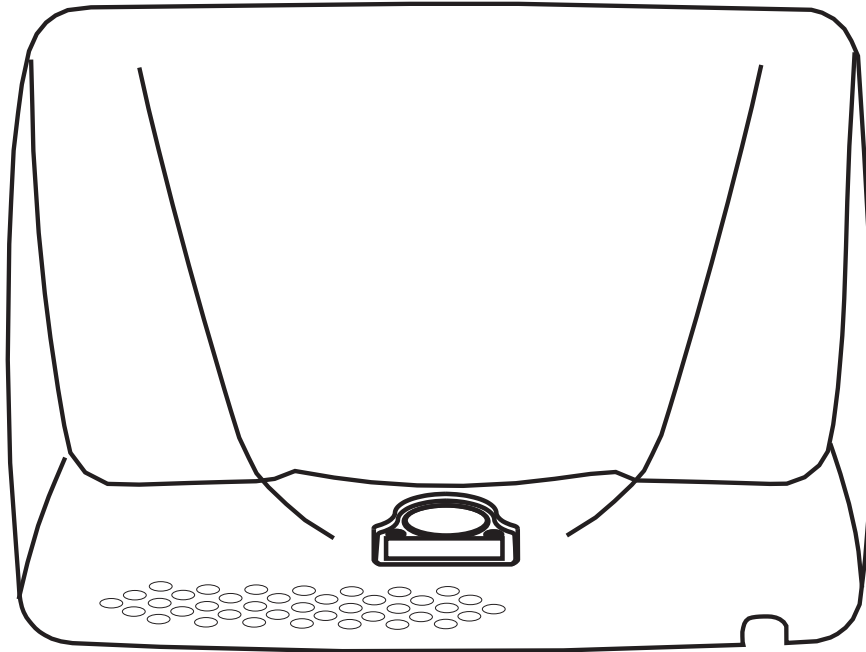


## Stainless Steel Hand Dryer AK2803A

---



2803SM003-V2.1

# Feature

- 1150W with heater on, 500W with heater off, eco-friendly and save money
- One piece seamless #304 stainless steel shell, stable and durable
- Round outlet makes the airflow more concentrated
- Built in UV light to kill bacteria in air
- Power and working LED indicator

## Customize your dryers' temperature:

1. When the room temperature is higher than 25°C, It blows normal temperature air (550W). When the room temperature is below 25°C, It blows warm air (1400W)
2. Remove the temperature sensor(Explanation in the instructions), It always blows warm air (1400W).

# SPECIFICATIONS

## ELECTRICAL

| VOLTS             | WATTS      | NO HEAT WATTS   | HERTZ     | MOTOR            |
|-------------------|------------|-----------------|-----------|------------------|
| 100-130V/220-240V | 1150-1350W | 550W            | 50/60 Hz  | Universial Motor |
| DRY TIME          | TEPERATURE | MATERIAL        | AIR SPEED |                  |
| 10-15 S           | 20-40° C   | Stainless Steel | 60 M/S    |                  |

## DIMENSIONS

Height 180 mm(7.1") Width 260 mm(10.2") Depth 152 mm(6.0")

## ACTIVATION

Automatic Sensor Operated

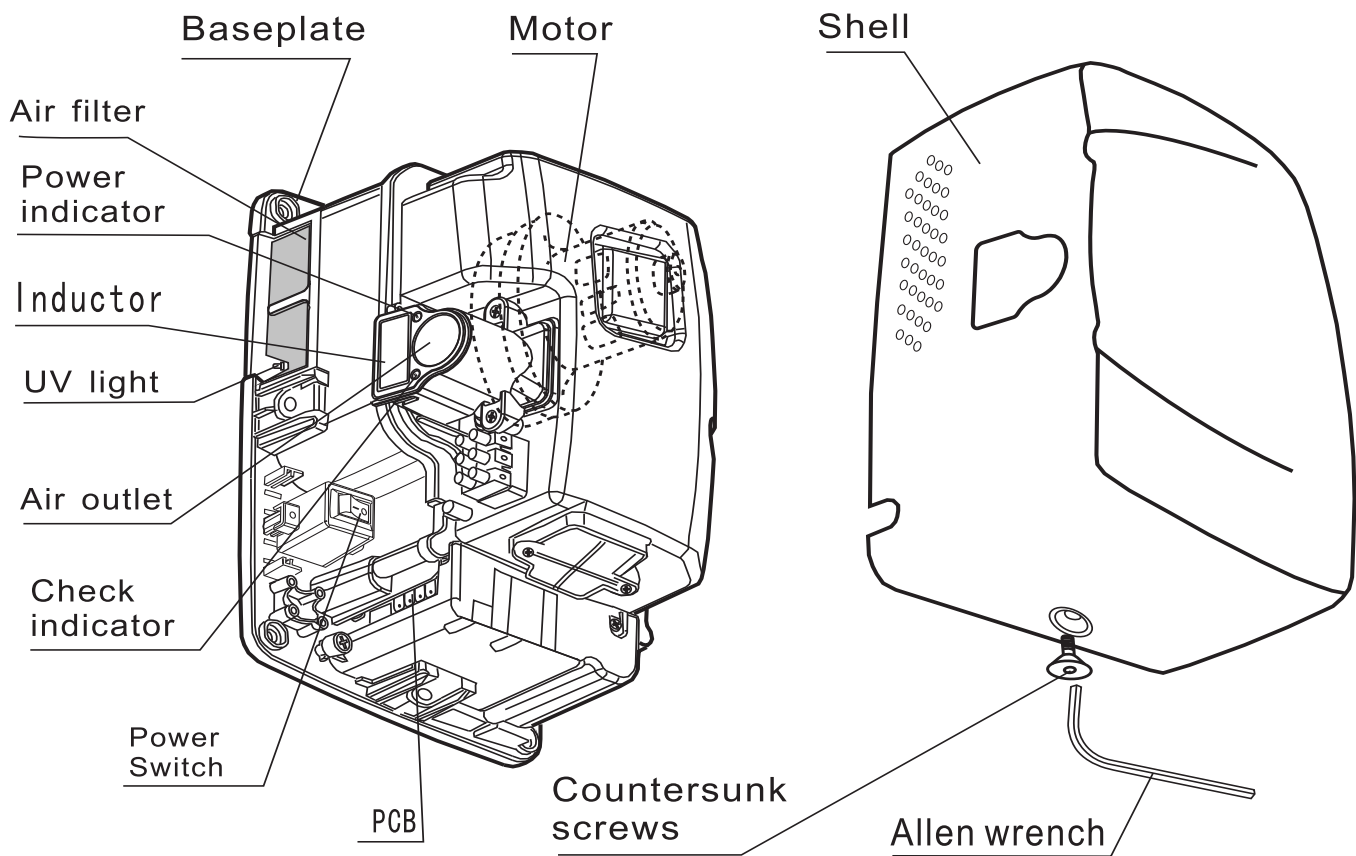
## MOUNTING

Surface Mounted

## WEIGHT

3.0kg (6.6lbs)

# Name of each part



# Electrical diagram

