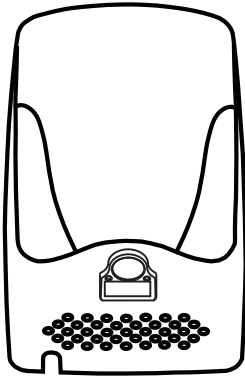
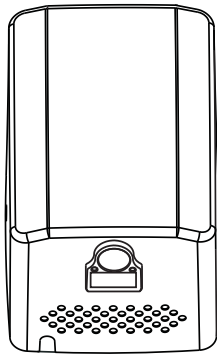


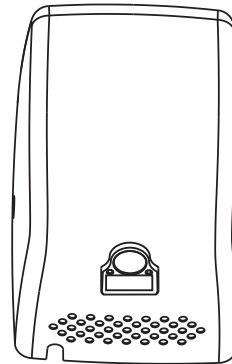
Mini Hand Dryer AK2803 Series



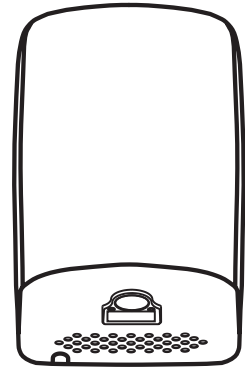
AK2803B



AK2803C



AK2803D



AK2803E



Feature

- 1150W with heater on, 500W with heater off, eco-friendly and save money
- One piece seamless #304 stainless steel shell, stable and durable
- Round outlet makes the airflow more concentrated
- Built in UV light to kill bacteria in air
- Power and working LED indicator

Customize your dryers' temperature:

1. When the room temperature is higher than 25°C, It blows normal temperature air (500W). When the room temperature is below 25°C, It blows warm air (1150W)
2. Remove the temperature sensor(Explanation in the instructions), It always blows warm air (1150W).

SPECIFICATIONS

ELECTRICAL

VOLTS	WATTS	NO HEAT WATTS	HERTZ	MOTOR
100-130V/220-240V	1150-1350W	550W	50/60 Hz	Universal Motor
DRY TIME	TEPERATURE	MATERIAL	AIR SPEED	
10-15 S	20-40° C	Stainless Steel	60 M/S	

DIMENSIONS

Height 260 mm(10.2") Width 180 mm(7.1") Depth 152 mm(6.0")

ACTIVATION

Automatic Sensor Operated

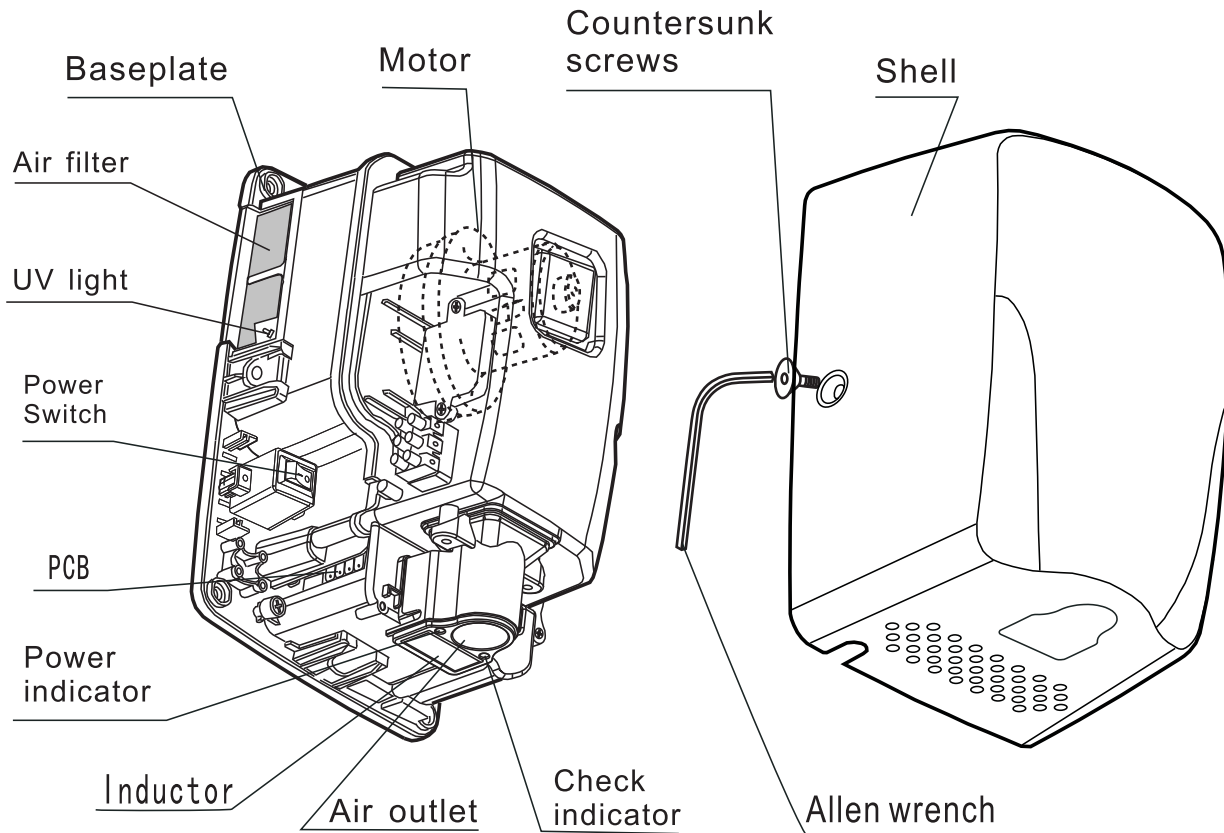
MOUNTING

Surface Mounted

WEIGHT

3.0kg (6.6lbs)

Name of each part



Electrical diagram

